



Linear position transducer with GEFTRAN'S innovative ONDA magnetostrictive technology for long life.

The absence of electrical contact on the cursor eliminates wearing and guarantees almost unlimited life.

Gefran's patented ONDA technology achieves a compact, modular structure for simple installation.

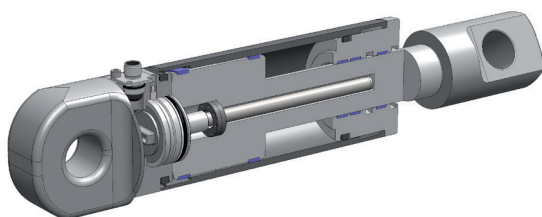
RK-5 is a magnetostrictive position transducer with flanged connection that installs completely inside oil-pressure cylinders.

Its unique design, plus a wide range of cursor configurations, ensures easy installation and total compatibility with cylinder manufacturer specifications.

Working temperature from -40 to +105°C, working pressures up to 350 bar, high resistance to vibration (25 g) and shock (100g) give the sensor the indispensable strength needed for heavy-duty use (for example: mobile hydraulics).

High performance in terms of transduction of measurement defined as linearity, hysteresis and repeatability.

The signal is analog in models with current or voltage output



### TECHNICAL DATA

#### Model

from 50 to 2500 mm

#### Measurement given

Displacement

#### Sampling time (typical)

1 ms

#### Shock test DIN IEC68T2-27

100g - 11ms - single shock

#### Vibrations DIN IEC68T2-6

25g / 10...2000Hz

#### Displacement speed

≤ 10 m/s

#### Maximum acceleration

≤ 100 m/s<sup>2</sup> displacement

#### Resolution

12 bit (min 50 μm)

#### Working pressure

350 bar

#### Nominal power supply

10...32 Vdc (E/R)

8...32Vdc (N/O/K/I outputs)

#### Max. power ripple

1Vpp

#### Output signal

0,5...9,5Vdc (RK-5 N)

9,5...0,5Vdc (RK-5 O)

0,5...4,5Vdc (RK-5 K)

4,5...0,5Vdc (RK-5 I)

4...20mA (RK-5 E)

20...4mA (RK-5 R)

#### Electrical insulation

500V (\*) (D.C. Power supply/ground)

#### Protection against polarity inversion

Yes

#### Protection against overvoltage

Yes

#### Hydraulic circuit area protection

IP67/ IP69 with connector

#### Working temperature

-40°...+105°C

#### Storage temperature

-30°...+100°C

#### Coefficient of temperature

0.01% FS / °C

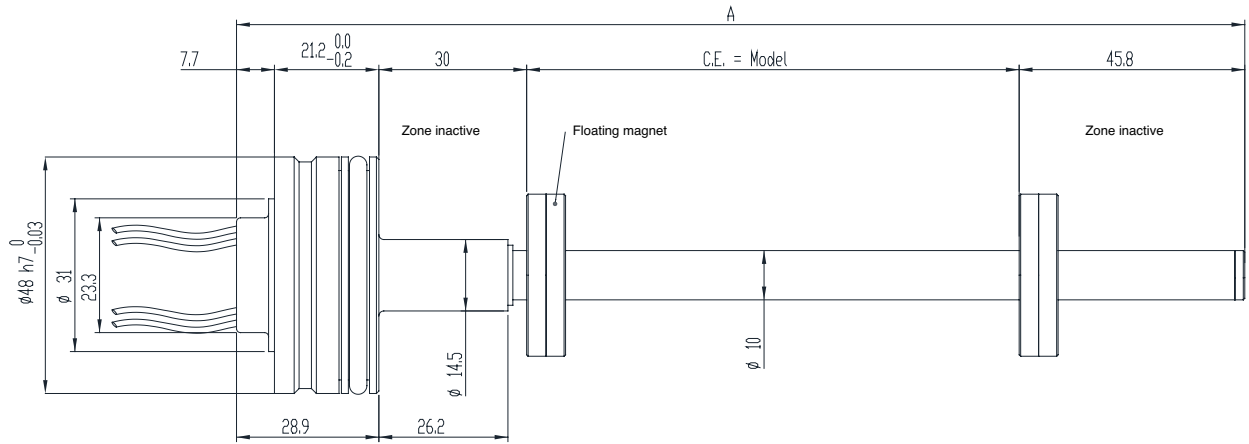
#### Humidity dew point EN60068-2-30

90% non-condensing humidity

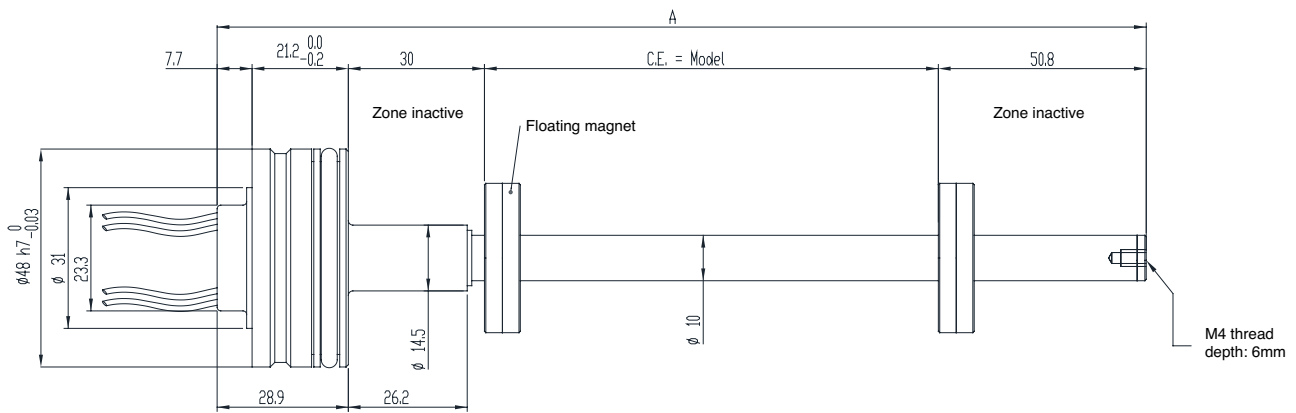
(\*) Uses 50V 2J Voltage suppressor

## MECHANICAL DIMENSIONS

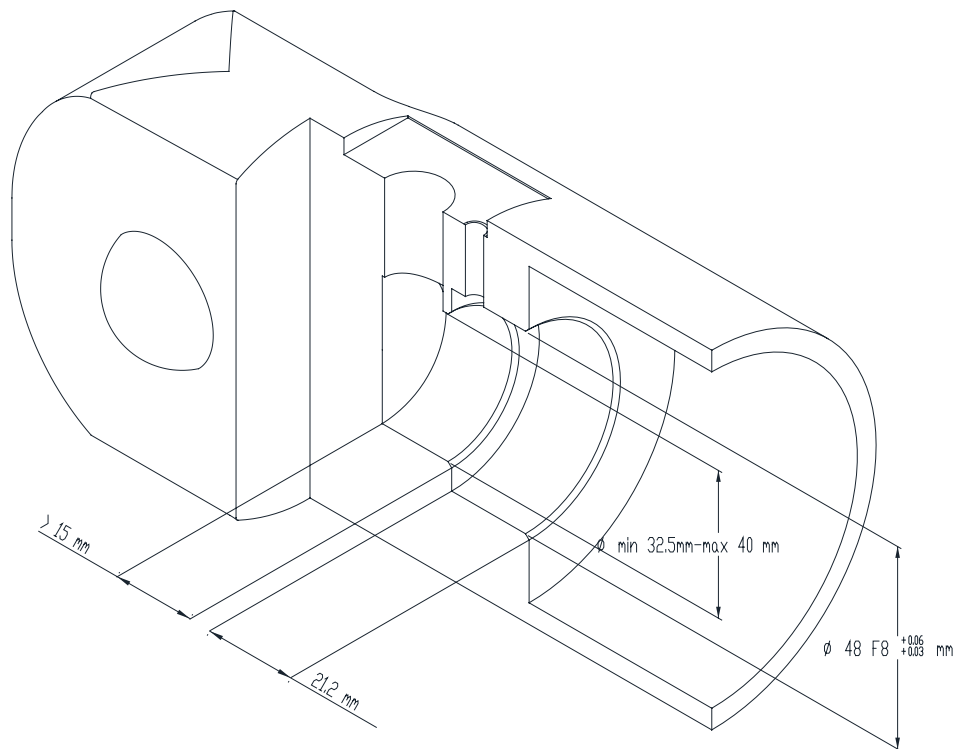
### Stroke 50 to 1000 mm



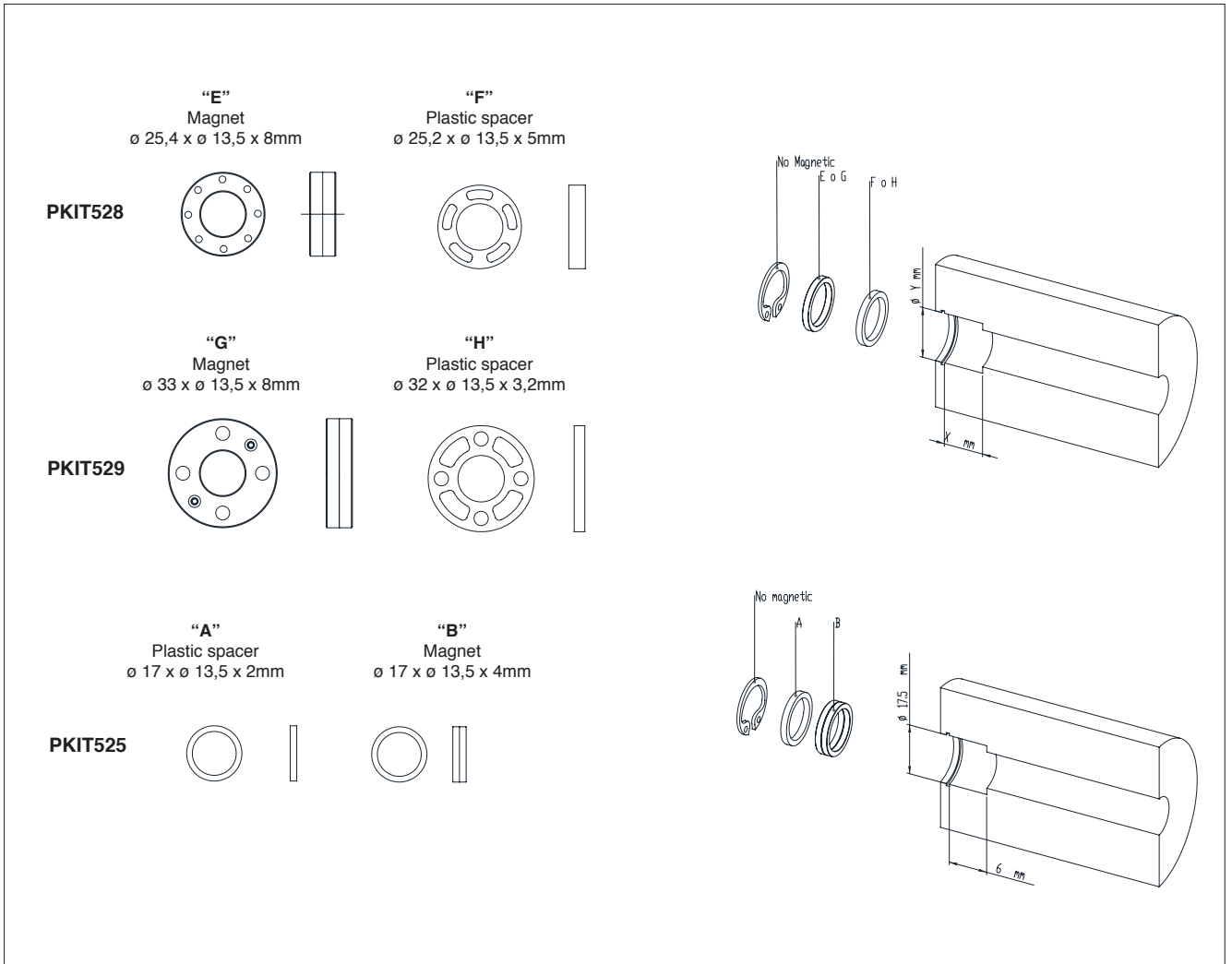
### Stroke 1250 to 2500 mm



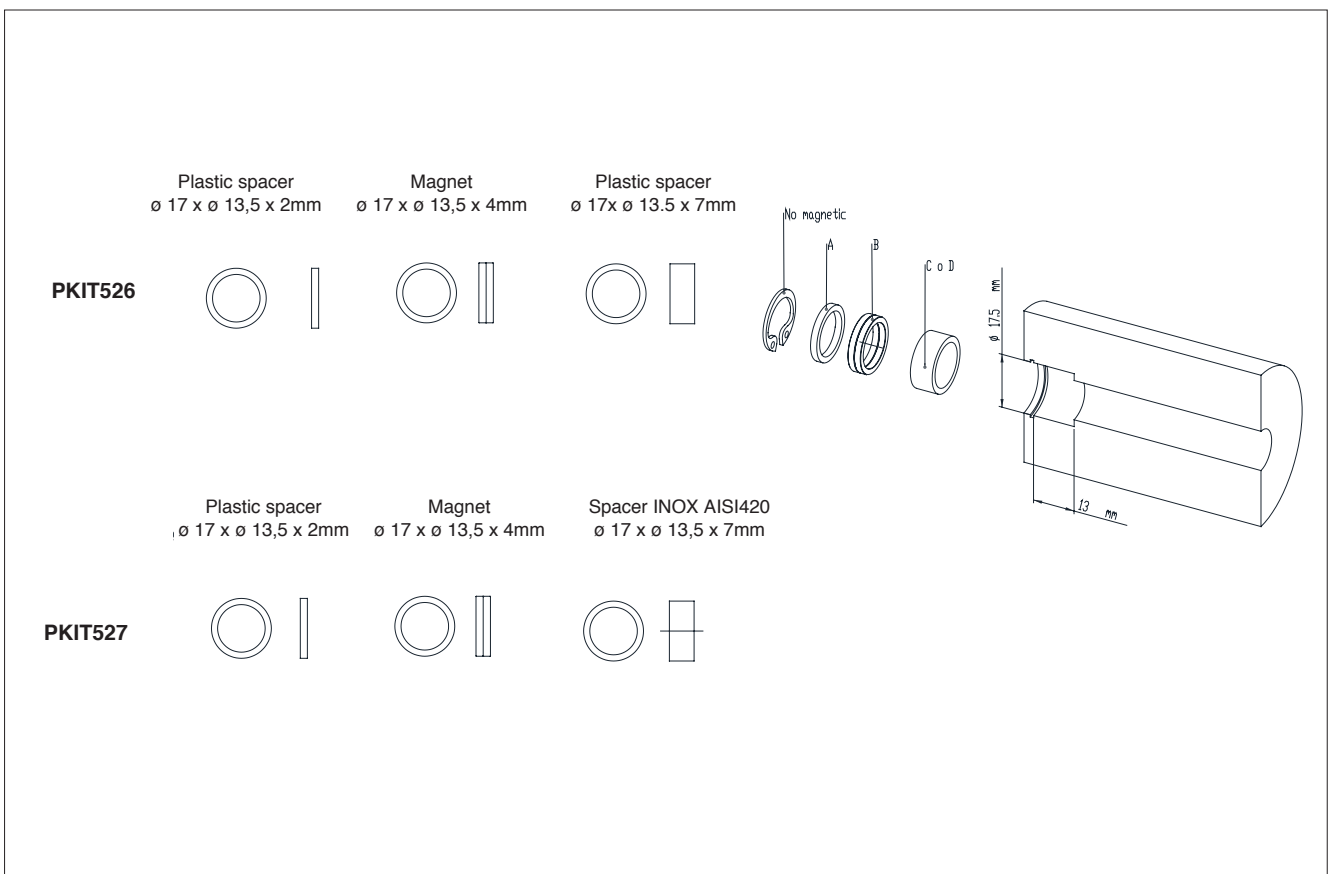
## SENSOR HOUSING (detail of head)



## INSTALLATION AND CURSOR KIT (to be ordered separately)



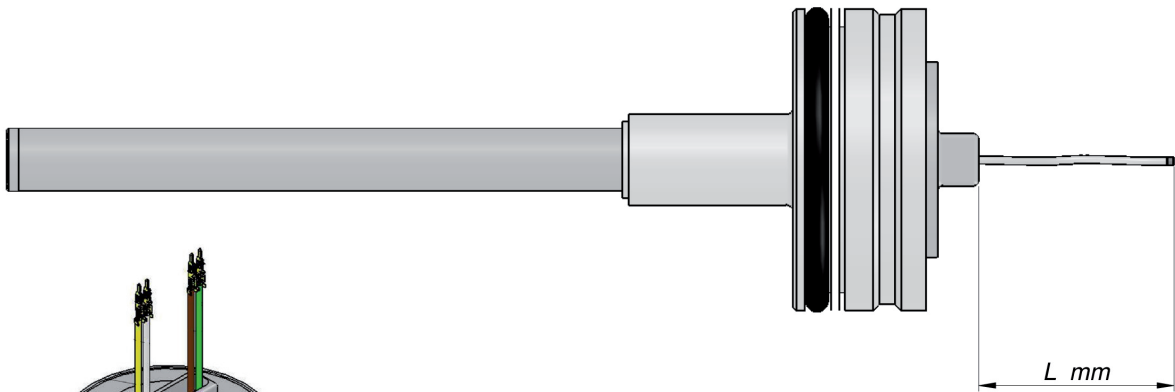
## INSTALLATION AND CURSOR KIT FOR 13mm HOUSINGS (to be ordered separately)



## ELECTRICAL / MECHANICAL DATA

Model		50	100	130	150	200	225	300	400	450	500	600	700	800	900	1000	1250	1500	1750	2000	2250	2500	
Electrical Stroke (E.S.)	mm	Model																					
Independent linearity		< ±0.04% F.S. (±0.10 mm minimum)																					
Max. length (A)	mm	Model +104,7 (excluding cable)															Model +109,7 (excluding cable)						
Repeatability	mm	< 0.01																					
Hysteresis		< ±0.005% F.S.																					
Sampling time	msec	1 for stroke up to 600 / 2 up to 2500																					

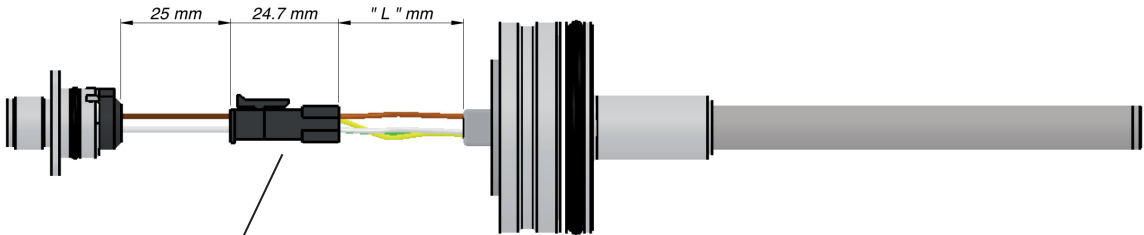
## CONNECTION TO FREE TINNED WIRES (OPTION F)



Color code	Version "F"
	Function
Yellow	Power supply
Brown	n.c.
White	0 Vdc
Green	mA/Vdc output

L.  
Standard length 1000 mm

## CONNECTION TO CRIMPED CABLES (options A and B)



Intermediate connector

"L" as indicated in order code

Code	Length
60	60 mm
100	100 mm
150	150 mm
240	240 mm

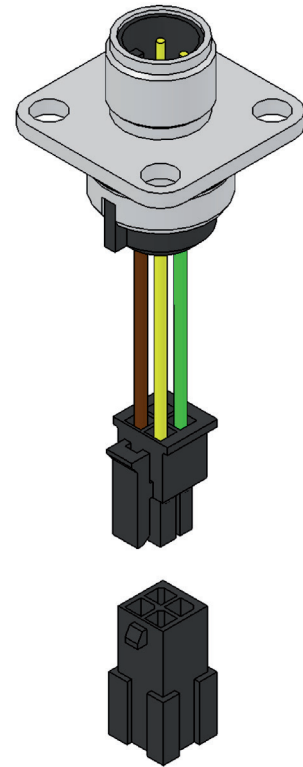
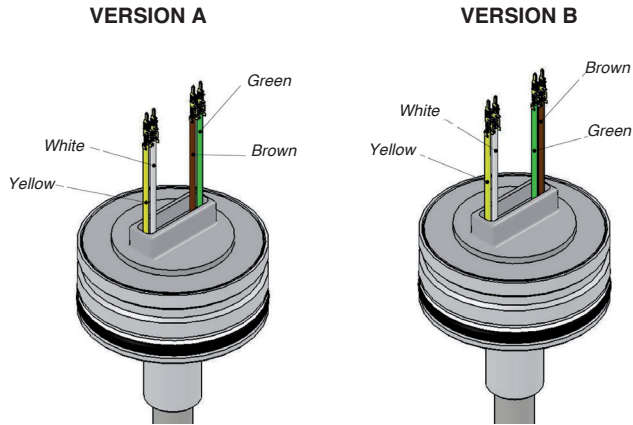
Jiangmen LEADER Electronic Co., Ltd.

#68 2nd Str, CuiShanLingShui, WuYi Country Garden, Jiangmen City, Guangdong, China

Tel:+86 750 3289680 3289698 Fax:+86 7503289699

<http://www.leadersensors.com> E-mail:leader@leadersensors.com

## ELECTRICAL CONNECTIONS (options A and B)

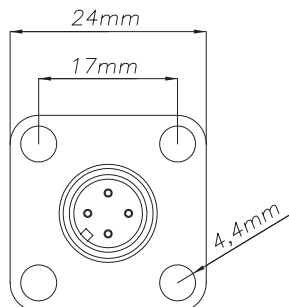
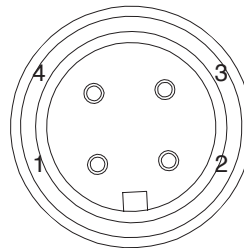
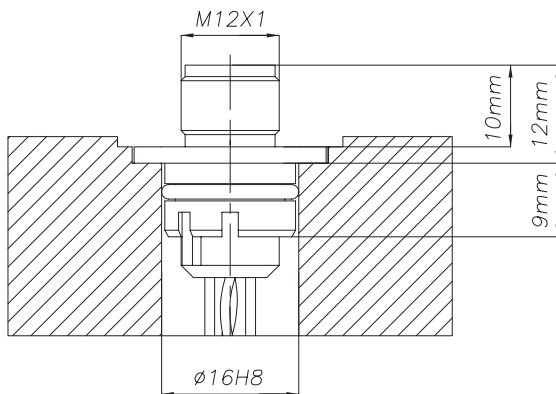


### PKIT 615

Accessory extractor for intermediate connector

Insert prewired pin into connector according to color code

## CONNECTOR ASSEMBLY (options A and B)



PIN	VERSION "A"	VERSION "B"
	FUNCTION	FUNCTION
1	Power supply	Power supply
2	n.c.	mA/Vdc output
3	0 Vdc	0 Vdc
4	mA/Vdc output	n.c.

## CE CONFORMITY ACCORDING TO DIRECTIVE 2004/108/CE

STANDARD	TITLE
ISO 13766	Earthmoving Machinery
ISO 11452-5	Road vehicles - Components test methods for electrical disturbances from narrowband radiated electromagnetic energy. part 5: stipline 200V/m
EN61326_1; EN61326_2_3	Electrical equipment for measurement, control and laboratory use

## ORDER CODE

Position  
transducer

R K 5 A      0 0 0 0 X    X 0 0 X 0 X X

OUTPUT CONFIGURATION	
Pin1 Power Pin2 N.C. Pin3 0Vdc Pin4 Output	<b>A</b>
Pin1 Power Pin2 Output Pin3 0Vdc Pin4 N.C.	<b>B</b>
Free contacts	<b>F</b>













CABLE LENGTH (for connections A and B only)	
<b>060</b>	60 mm
<b>150</b>	150 mm
<b>240</b>	240 mm
<b>000</b>	F output

Model (0050-2500)

OUTPUT CONFIGURATION		
Analog	0.5...9.5 VDC	<b>N</b>
Analog	9.5...0.5 VDC	<b>O</b>
Analog	0.5...4.5 VDC	<b>K</b>
Analog	4,5...0.5 VDC	<b>I</b>
Analog	4...20 mA	<b>E</b>
Analog	20...4 mA	<b>R</b>

Mechanical and/or electrical characteristics differing from those in the standard models can be ordered on request.

## CURSOR KIT (to be ordered separately)

CODE	Ø HOUSING	HOUSING DEPTH	PISTON MATERIAL	MAGNET	PLASTIC SPACER	AMAGNETIC SPACER	MAGNETIC SPACER
PKIT528	Ø 25,4 mm	13 mm	magnetic/ amagnetic				
PKIT529	Ø 33 mm	13 mm	magnetic/ amagnetic				
PKIT525	Ø 17 mm	6 mm	magnetic/ amagnetic				
PKIT526	Ø 17 mm	13 mm	amagnetic				
PKIT527	Ø 17 mm	13 mm	magnetic				

Jiangmen LEADER Electronic Co., Ltd.

#68 2nd Str, CuiShanLingShui, WuYi Country Garden, Jiangmen City, Guangdong, China

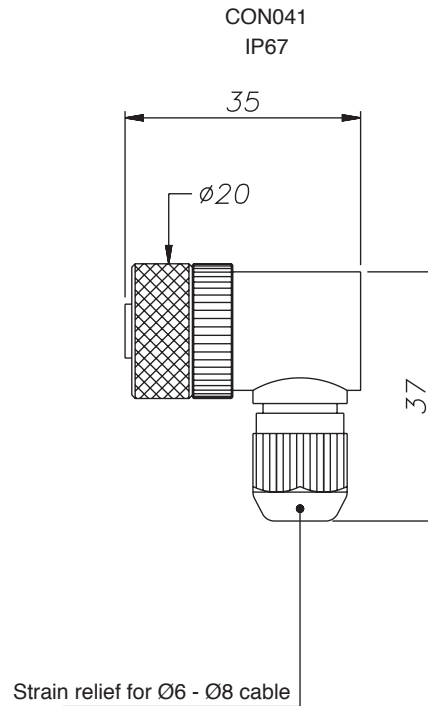
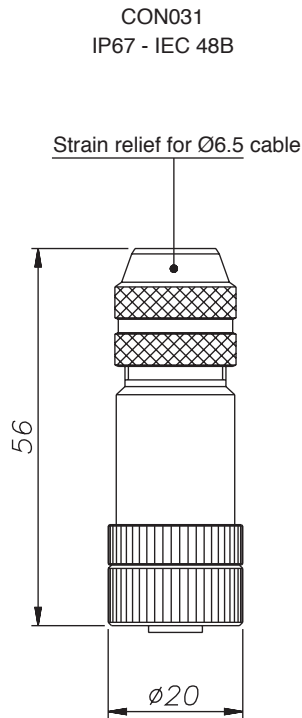
Tel:+86 750 3289680 3289698 Fax:+86 7503289699

<http://www.leadersensors.com> E-mail:leader@leadersensors.com

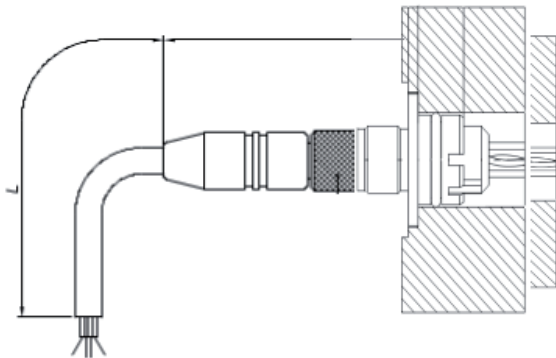
## OPTIONAL CONNECTORS

**CON031** for 5-pin output

**CON041** for 90° 5-pin output



## OPTIONAL CABLES (to be ordered separately)



### PREWIRED CABLE WITH STRAIGHT CONNECTOR

The cable braiding is connected to the connector

Length "L"		CODE	
		Straight cable	90° cable
2	mt	<b>CAV011</b>	<b>CAV021</b>
5	mt	<b>CAV012</b>	<b>CAV022</b>
10	mt	<b>CAV013</b>	<b>CAV023</b>
15	mt	<b>CAV015</b>	<b>CAV024</b>

GEFRAN spa reserves the right to make any kind of design or functional modification at any moment without prior notice.

# GEFRAN

DTS\_RK-5\_01-2016\_ENG